

# Slope

## Luminaire

Industrial Facility  
2017



## Product description

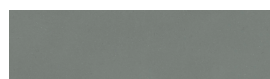
### Certificates



### Finishes



Light grey



Medium grey



Dark grey

The finishes shown are purely indicative. With **Superior** protection: high corrosion resistance for environments with demanding climate conditions. For coastal areas with severe climate conditions, check out our **Premium** protection finish. Other colours are available upon request.

### Materials

- Anodised injection-moulded aluminium EN-AC-47100 luminaire with powder-coated finish.
- Interior ABS-PC plastic reflector.
- Tempered optical glass diffuser.
- A2 stainless steel hardware and metal cable gland.

### Installation and maintenance

- The luminaire has a variety of accessories that allow it to be adapted for different columns or surfaces.
- The element is delivered as two separate components: the luminaire and the accessory.
  - Instructions and hardware included.
  - Includes pressure compensation valve and 10kV surge protector (CE).
  - Clean using pH neutral, alcohol-free, non-abrasive cleaning products. The optical glass can be cleaned with non-abrasive cleaning products.

### Regulations

- UNE-EN 60529
- UNE-EN 60598
- UNE-EN 55015
- UNE-EN 61000
- UNE-EN 50102
- UNE-EN 62031
- UL 1598
- UL 8750
- E-505192
- Lighting system with CE marking from a laboratory certified by ENAC [Spanish National Accreditation Body].
- IP66 (hermetically protected from penetration of dust and water jets).
- Suitable for wet areas.
- IK08 (protected from external mechanical impacts).
- Electrical class: Class I (CE)

# Technical information

## System power (W)

High efficiency optical unit  
18 LEDs 21W, 30W, 40W  
36 LEDs 39W, 56W, 78W

## Operating current (mA)

350 / 500 / 700

## Colour temperature (K)

4000 CRI min80                      2200 CRI min70  
3000 CRI min80                      PC Amber CRI min40  
2700 CRI min80

Other colour temperatures and/or CRIs are available upon request.

## Power supply

Constant current driver.

## Protocols and control

### Protocols

- 1-10V protocol
- Dali protocol

### Control

- Dynamic programming
- Analogue control

### Functionalities

- Constant Luminous Management (CLM)
- Temperature control
- Surge protector

## Recommended cable

0.6-1kV  
5 x 1.5 mm<sup>2</sup> (AWG18)  
3 x 2.5 mm<sup>2</sup> (AWG16)

## Operating voltage

220-240V 50-60Hz (CE)  
120-277V 60Hz (UL)

## Nominal operating temperature (°C)

Ta 30

## Service life

TM21 L90 (10k) > 100,000 h  
Luminous flux is maintained at 90% after 100,000 h.

## Upper Hemisphere Flux (UHF%)

0

## Surface exposed to wind (m<sup>2</sup>)

SW 0.04

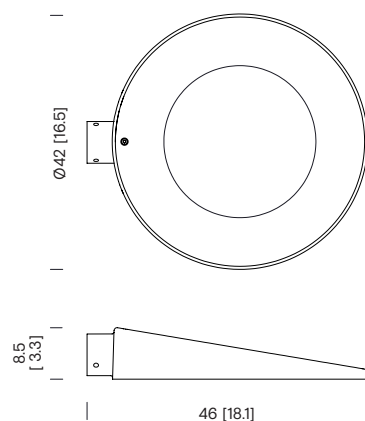
## Weight kg [lb]

Luminaire: 6 [13.2]  
Approximate weight without packaging.

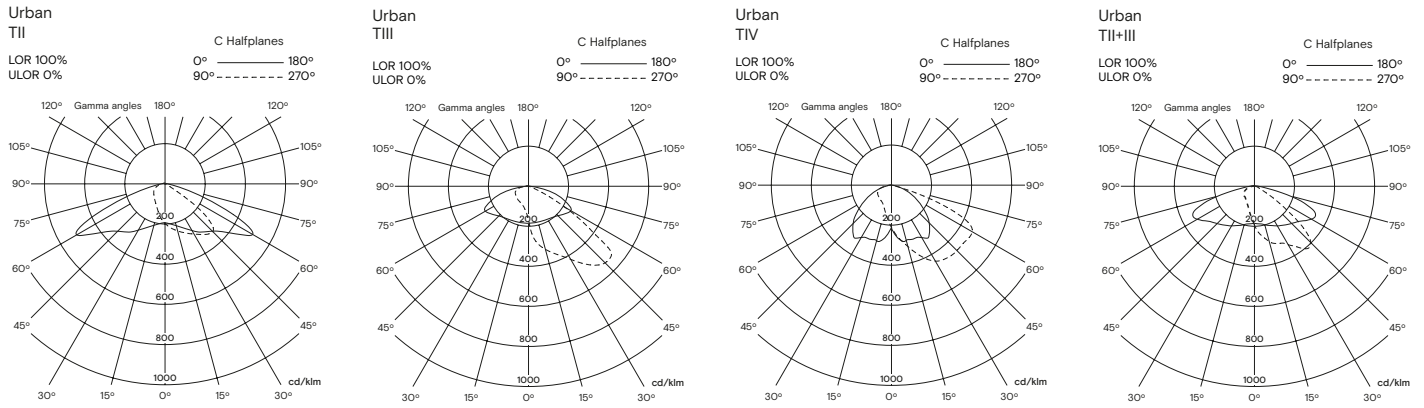
## Power factor (cos Φ)

Current (mA)	P (W) 100% CLO 90%	
	18 LEDs	36 LEDs
350	0.87	0.95
500	0.92	0.97
700	0.98	0.98

## Dimensions cm [in]



Lighting distributions



Slope				IESNA **TII		IESNA **TIII		IESNA **TIV		IESNA **TII+III		
Reference	System power (W)	No. of LEDs	Colour temperature (K)	Current (mA)	Luminous flux (lm)	Luminous efficacy (lm/W)	Luminous flux (lm)	Luminous efficacy (lm/W)	Luminous flux (lm)	Luminous efficacy (lm/W)	Luminous flux (lm)	Luminous efficacy (lm/W)
SLP18A2**	21	18	4000 CRI min80	350	2409	115	2298	109	2339	111	2354	112
SLP18B2**	30			500	3237	108	3087	103	3142	105	3162	105
SLP18C2**	40			700	4267	107	4069	102	4142	104	4168	104
SLP18A1**	21		3000 CRI min80	350	2171	103	2070	99	2107	100	2120	101
SLP18B1**	30			500	2916	97	2781	93	2830	94	2848	95
SLP18C1**	40			700	3844	96	3666	92	3731	93	3755	94
SLP18A3**	21		2700 CRI min80	350	2171	103	2070	99	2107	100	2120	101
SLP18B3**	30			500	2916	97	2781	93	2830	94	2848	95
SLP18C3**	40			700	3844	96	3666	92	3731	93	3755	94
SLP18A4**	21		2200 CRI min70	350	1904	91	1816	86	1848	88	1860	89
SLP18B4**	30			500	2558	85	2439	81	2483	83	2499	83
SLP18C4**	40			700	3372	84	3216	80	3273	82	3294	82
SLP18A5**	21	PC Amber CRI min40	350	1325	63	1264	60	1286	61	1294	62	
SLP18B5**	30		500	1725	58	1646	55	1675	56	1686	56	
SLP18C5**	40		700	2058	51	1963	49	1997	50	2010	50	
SLP36A2**	39	36	4000 CRI min80	350	4673	120	4456	114	4536	116	4565	117
SLP36B2**	56			500	6329	113	6049	108	6164	110	6189	111
SLP36C2**	78			700	8185	105	7806	100	7945	102	7995	103
SLP36A1**	39		3000 CRI min80	350	4210	108	4015	103	4086	105	4112	105
SLP36B1**	56			500	5702	102	5449	97	5553	99	5576	100
SLP36C1**	78			700	7374	95	7032	90	7158	92	7203	92
SLP36A3**	39		2700 CRI min80	350	4210	108	4015	103	4086	105	4112	105
SLP36B3**	56			500	5702	102	5449	97	5553	99	5576	100
SLP36C3**	78			700	7374	95	7032	90	7158	92	7203	92
SLP36A4**	39		2200 CRI min70	350	3693	95	3522	90	3584	92	3607	92
SLP36B4**	56			500	5002	89	4780	85	4871	87	4891	87
SLP36C4**	78			700	6468	83	6169	79	6279	80	6318	81
SLP36A5**	39	PC Amber CRI min40	350	2569	66	2450	63	2494	64	2510	64	
SLP36B5**	56		500	3374	60	3225	58	3286	59	3299	59	
SLP36C5**	78		700	3947	51	3765	48	3832	49	3856	49	
Opal					-25 %		-23 %		-24 %		-24 %	